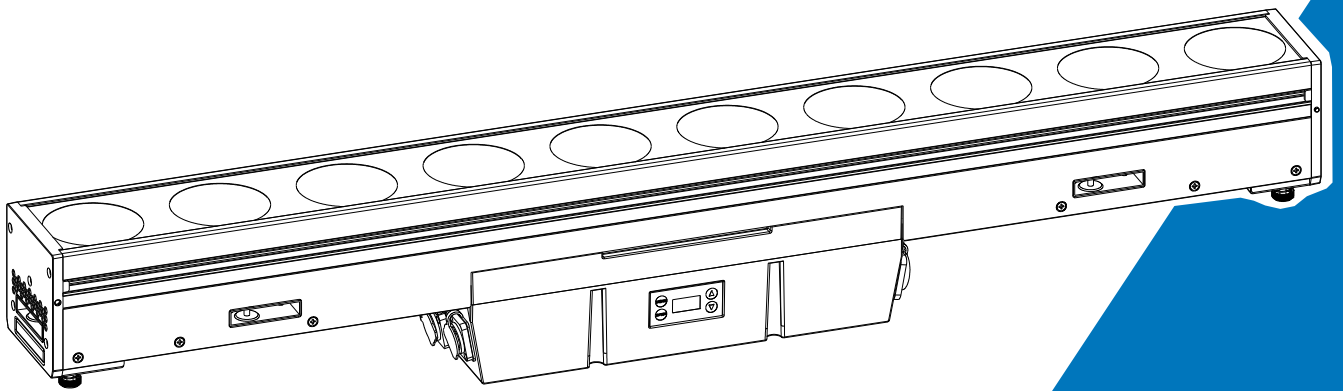




BLINDER LINE 10 IP



User Manual

Please read the instruction carefully before use

CONTENTS

01/ Safety Instructions.....	2
02/ Technical Specifications	6
03/ Control Panel.....	8
04/ Fixture Installation.....	9
4.1 Stand the Fixture on the Floor	10
4.2 Hanging the Fixture	12
4.3 Splicing the Fixtures	14
05/ How To Set The Unit.....	17
5.1 Main Functions	17
5.2 Home Position Adjustment	28
06/ Control By Universal DMX Controller	33
6.1 DMX512 Connection.....	33
6.2 Address Setting.....	34
6.3 DMX512 Configuration.....	34
07/ Error Information	41
08/ Troubleshooting	43
09/ Fixture Cleaning.....	43

01/ Safety Instructions



Please read the instruction carefully which includes important information about the installation, usage and maintenance.

WARNING

Please keep this User Guide for future consultation. If you sell the unit to another user, be sure that they also receive this instruction manual.

Important:

Damages caused by the disregard of this user manual are not subject to warranty. The dealer will not accept liability for any resulting defects or problems.

- Unpack and check carefully to ensure that there is no transportation damage before using the unit.
- This product is suitable for wet locations. Do not immerse in water.
- DO install and operate by qualified operator.
- DO NOT allow children to operate the fixture.
- Use safety chain when fixing the unit. Handle the unit by carrying its base instead of head only.
- The unit must be installed in a location with adequate ventilation, at least 50cm from adjacent surfaces.
- Be sure that no ventilation slots is blocked, otherwise the unit will be overheated.
- Before operation, ensure that you are connecting this product to the proper voltage in accordance with the specifications in this manual or on the product's specification label.
- It's important to ground the yellow/green conductor to earth in order to avoid electric shock.
- Minimum ambient temperature TA: 0°C. Maximum ambient temperature TA: 40°C. Do not operate this product at a lower or higher temperature.
- DO NOT connect the device to any dimmer pack.
- Keep flammable materials away from the fixture while operating to avoid fire hazard.
- Make sure the power cord is not crimped or damaged; replace it immediately if damaged.
- Unit's surface temperature may reach up to 70°C. DO NOT touch the housing bare-handed during its operation.
- Avoid any flammable liquids, water or metal from entering the unit. Once it happens, cut

off the mains power immediately.

- DO NOT operate in a dirty or dusty environment. DO clean the fixture regularly.
- DO NOT touch any wire during operation as there might be a hazard of electric shock.
- Avoid entanglement of the power cord with other wires.
- The minimum distance to objects/surface must be more than 0.5 meters.
- In the event of serious operating problem, stop using the unit immediately.
- Never turn on and off the unit time after time.
- The housing, the lenses, or the ultraviolet filter must be replaced if they are visibly damaged.
- DO NOT open the housing as there are no user serviceable parts inside.
- DO NOT attempt to operate this unit if it becomes damaged. DO NOT attempt any repairs yourself. Repairs carried out by unskilled people can lead to damage or malfunction. Please contact the nearest authorized technical assistance center if needed.
- Disconnect this product from its power source before servicing.
- DO use the original packaging if the device is to be transported.
- Avoid direct eye exposure to the light source while the product is on.
- DO NOT operate this product if you see damage on the housing, shields, or cables. Have the damaged parts replaced by an authorized technician at once.

01/ Consignes de sécurité



Veillez lire attentivement les instructions qui contiennent des informations importantes sur l'installation, l'utilisation et l'entretien.

ATTENTION

Veillez conserver ce guide de l'utilisateur pour une consultation future. Si vous vendez l'appareil à un autre utilisateur, assurez-vous qu'il reçoive également ce manuel d'instructions.

Important:

Les dommages causés par le non-respect de ce manuel d'utilisation ne sont pas couverts par la garantie. Le revendeur n'acceptera aucune responsabilité pour les défauts ou problèmes qui en résultent.

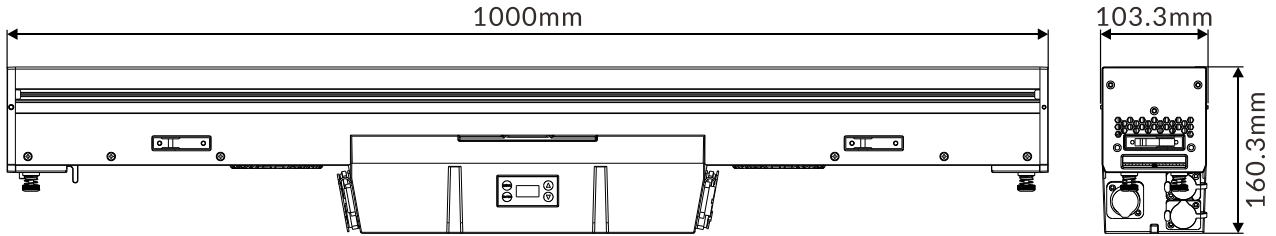
- Déballez et vérifiez soigneusement qu'il n'y a pas de dommages dus au transport avant d'utiliser l'appareil.
- Ce produit convient aux endroits humides. Ne pas immerger dans l'eau.
- L'installation et la mise en fonctionnement doit être effectué par un opérateur qualifié.
- NE PAS permettre aux enfants d'utiliser l'appareil.
- Utilisez une chaîne de sécurité lors de la fixation de l'unité. Manipulez l'appareil en portant sa base au lieu de la tête uniquement.
- L'unité doit être installée dans un endroit avec une ventilation adéquate, à au moins 50cm des surfaces adjacentes.
- Assurez-vous qu'aucune fente d'aération du luminaire n'est obstruée, sinon il risque de surchauffer.
- Avant toute utilisation, assurez-vous que vous connectez ce luminaire à la tension appropriée conformément aux spécifications que vous trouverez dans ce manuel ou sur l'étiquette des spécifications collée sur la base du luminaire.
- Il est important de relier le file jaune/vert à la terre afin d'éviter tout choc électrique.
- Température ambiante minimale TA: 0°C. Température ambiante maximale TA: 40°C. N'utilisez pas ce luminaire à des températures inférieures ou supérieures.
- NE PAS connecter le luminaire à un pack de gradateurs.
- Gardez les matériaux inflammables à l'écart du luminaire pendant le fonctionnement pour éviter tout risque d'incendie.

- Assurez-vous que le cordon d'alimentation n'est pas pincé ou endommagé; remplacez-le immédiatement s'il est endommagé.
- La température de surface de l'unité peut atteindre 70°C. NE PAS toucher les capots à mains nues pendant son fonctionnement.
- Évitez que des liquides inflammables, de l'eau ou du métal ne pénètrent dans l'appareil. Si cela se produit, coupez immédiatement l'alimentation secteur.
- NE PAS utiliser le luminaire dans un environnement sale ou poussiéreux. Cette appareil doit être nettoyer régulièrement.
- NE touchez AUCUN file pendant le fonctionnement car il pourrait y avoir un risque de choc électrique.
- Évitez l'enchevêtrement du cordon d'alimentation avec d'autres fils.
- La distance minimale de projection sur des objets ou sur des surfaces doit être supérieure à 0.5 mètres.
- En cas de problème de fonctionnement grave, arrêtez immédiatement d'utiliser l'appareil.
- N'allumez et n'éteignez jamais ce luminaire à maintes reprises.
- Le boîtier, les lentilles ou le filtre ultraviolet doivent être remplacés s'ils sont visiblement endommagés.
- NE PAS ouvrir le boîtier car il ne contient aucune pièce réparable par l'utilisateur.
- NE PAS mettre ce luminaire en fonctionnement s'il est endommagé. N'effectuez pas de réparations vous-même. Les réparations ne doivent être effectuées par des personnes non qualifiées, cela peut entraîner des dommages ou des dysfonctionnements. Veuillez contacter le centre d'assistance technique agréé le plus proche si nécessaire.
- Débranchez ce produit du secteur avant de procéder à l'entretien.
- Utiliser l'emballage d'origine si l'appareil doit être transporté.
- Évitez une exposition directe des yeux à la source lumineuse lorsque le produit est allumé.
- N'utilisez PAS ce produit si vous constatez des dommages sur le boîtier, les blindages ou les câbles. Faites remplacer immédiatement les pièces endommagées par un technicien agréé.

02/ Technical Specifications

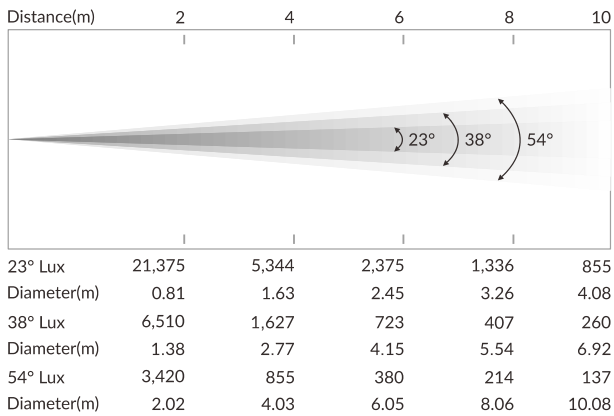
Power Voltage	100-240V~ 50/60Hz	
Power Consumption	600W	
Light Source	TOC-YF-V2-RGBWA150x10pcs	
Beam Angle	23°/38°/54° (W)	
	25°/41°/55° (RGBA)	
Field Angle	47°/97°/127° (W)	
	49°/100°/128° (RGBA)	
Dimmer/Strobe	0-100% smooth dimming; outstanding strobe effect with variable speed	
Control	DMX Channel	14/55 Channels
	Control Mode	DMX512
		RDM
		Art-Net
		sACN
Firmware Upgrade	Firmware Upgrade via DMX link	
Construction	Display	OLED display
	Data In/Out	5-pin IP XLR (3-pin IP XLR is optional)
		RJ45 Connector
	Power In/Out	Waterproof Power Connector in/out
Protection Rating	IP66	
<p><i>Description for power cord set should be used: Listed SJTW flexible cord with rating: 300V, 105°C, 16AWG x 3C, molded with 5-15P attachment plug and terminated with cord connector model SAC3FX with rating 250V, 16A by Ningbo Seetronic Electronic Technology Co., Ltd. The power cord shall be at least 914mm (It is to be measured from the face of attachment plug to the face of connector).</i></p>		
Features	10 x RGBWA LEDs with individual control	
	Patented Smart Glass Technology for frost effects	
	Variable CTO	
	Outstanding color mixing effect	
	Tungsten emulation during dimming	
	Equipped with an inventive quick-release mechanism that allows you to quickly connect and align multiple fixtures	

	IP66 protection rating, which can be used outdoors all the year round	
Dimensions	1000x103.3x160.3mm	39.4"x4.1"x6.3" in
Weight	14.7kgs	32.4lbs

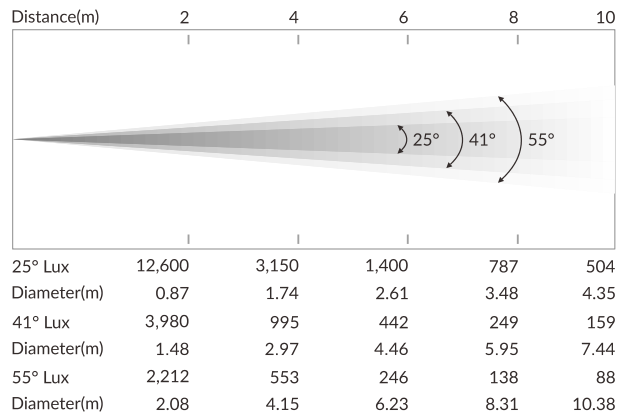


Photometric Diagram (Beam Angle):

Beam Angle (W):

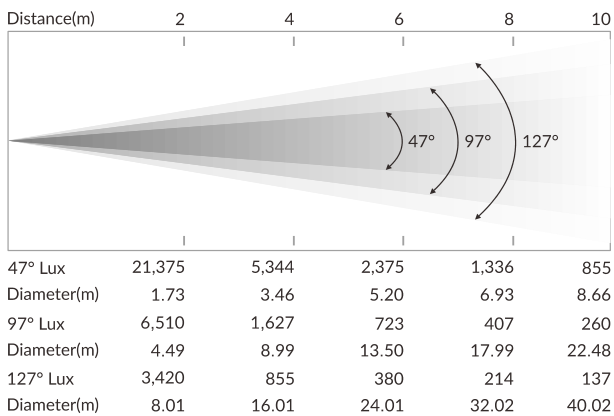


Beam Angle (RGBA):

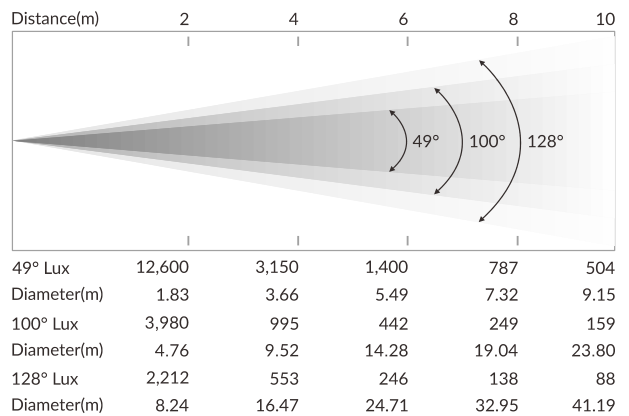


Photometric Diagram (Field Angle):

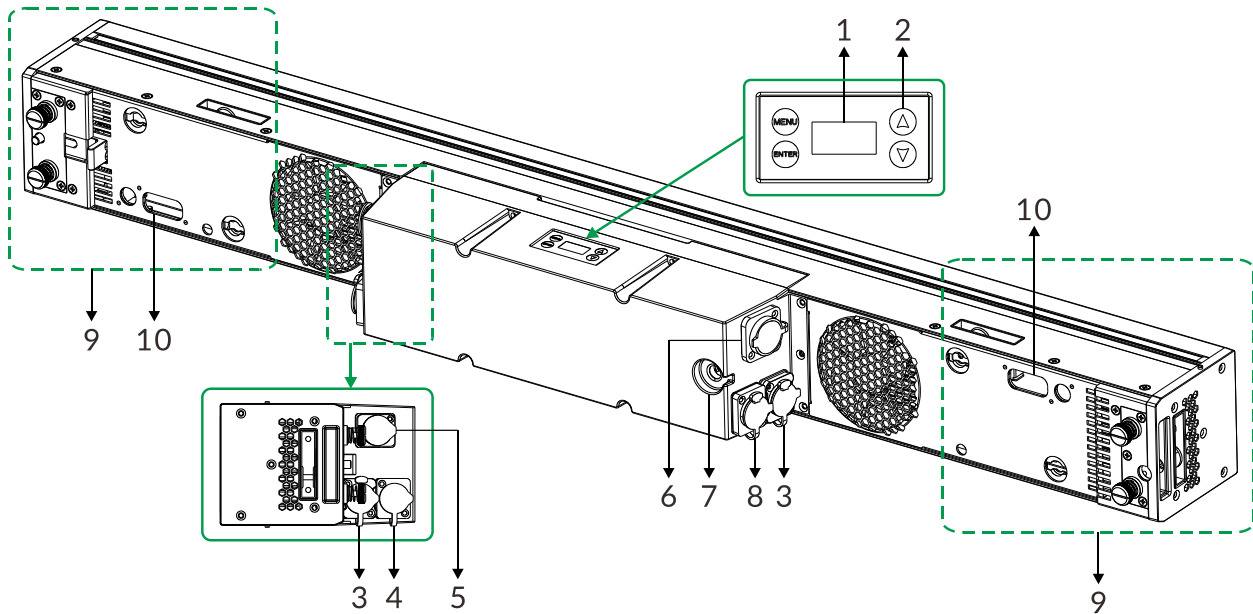
Field Angle (W):



Field Angle (RGBA):



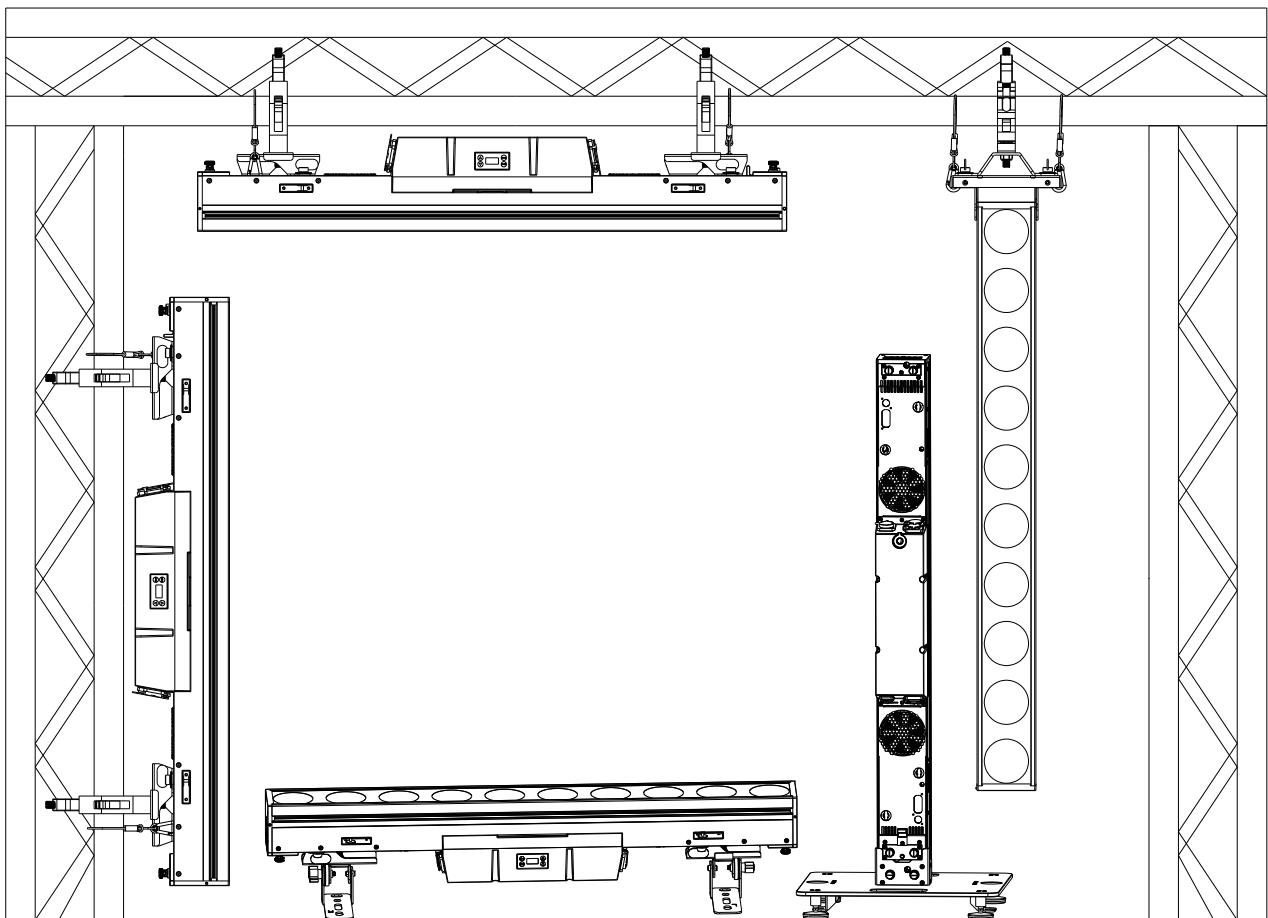
03/ Control Panel



1. Display	To show the various menus and the selected function	
2. Buttons	MENU	To enter into move backward or leave the menu
	▲ UP	To go backward to move up in the menu
	▼ DOWN	To go forward to move down in the menu
	ENTER	To perform the desired functions
3. ETHERNET	Transfers fixture's information to a main controller	
4. DMX IN	For DMX512 link, use 5-pin XLR cable to link the unit and DMX controller to input DMX signal (3-pin XLR cable is optional)	
5. POWER IN	To connect to supply power	
6. POWER OUT	To connect to the next fixture	
7. RELEASE VALVE		
8. DMX OUT	For DMX512 link, use 5-pin XLR cable to link the next units to output DMX signal (3-pin XLR cable is optional)	
9. COUPLER MECHANISM	The coupler mechanism makes it possible to quickly connect and align two or a long line of fixtures together	
10. SAFETY CABLE ATTACHMENT POINTS		

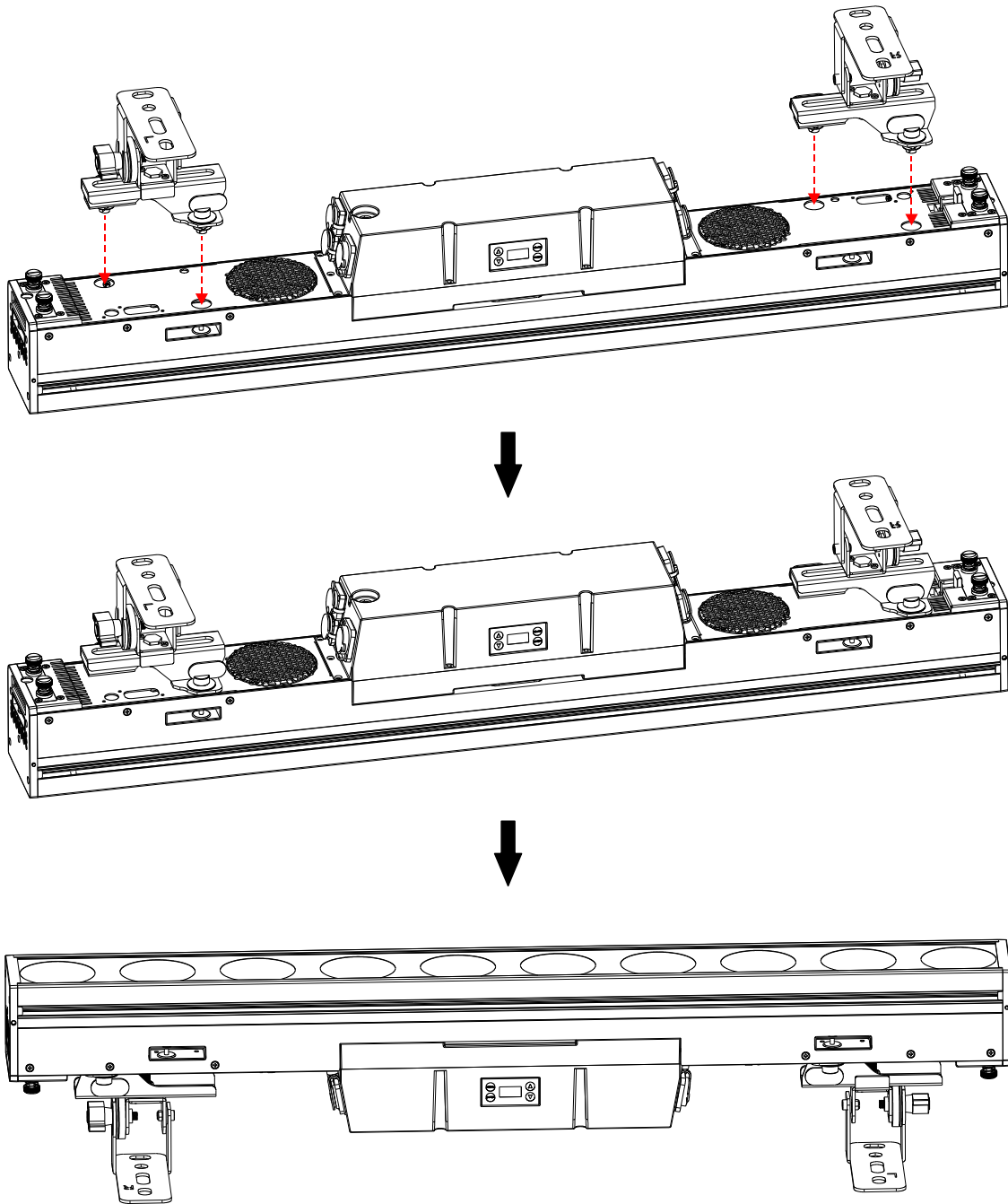
04/ Fixture Installation

- ▶ DO install and operate by qualified operator. Fixture(s) should be installed in areas outside walking paths, seating areas, or away from areas where unauthorized personnel might reach the fixture by hand. NEVER stand directly below the fixture(s) when rigging, removing or servicing.
- ▶ Always ensure that the unit is firmly fixed to avoid vibration and slipping off during operation. Ensure that the trussing or area of installation must be able to hold 10 times the weight without any deformation. Always attach a safety cable that can hold at least 12 times the weight of the fixture whenever installing this fixture in a suspended environment to ensure that the fixture will not fall if the clamp fails.
- ▶ This fixture is fully operational in three different mounting positions: hanging on trussing, mounted sideways on trussing, or standing on the floor. Always use and install the supplied safety cable as a safety measure to prevent accidental damage and/or injury in the event the clamp fails.



4.1 Stand the Fixture on the Floor

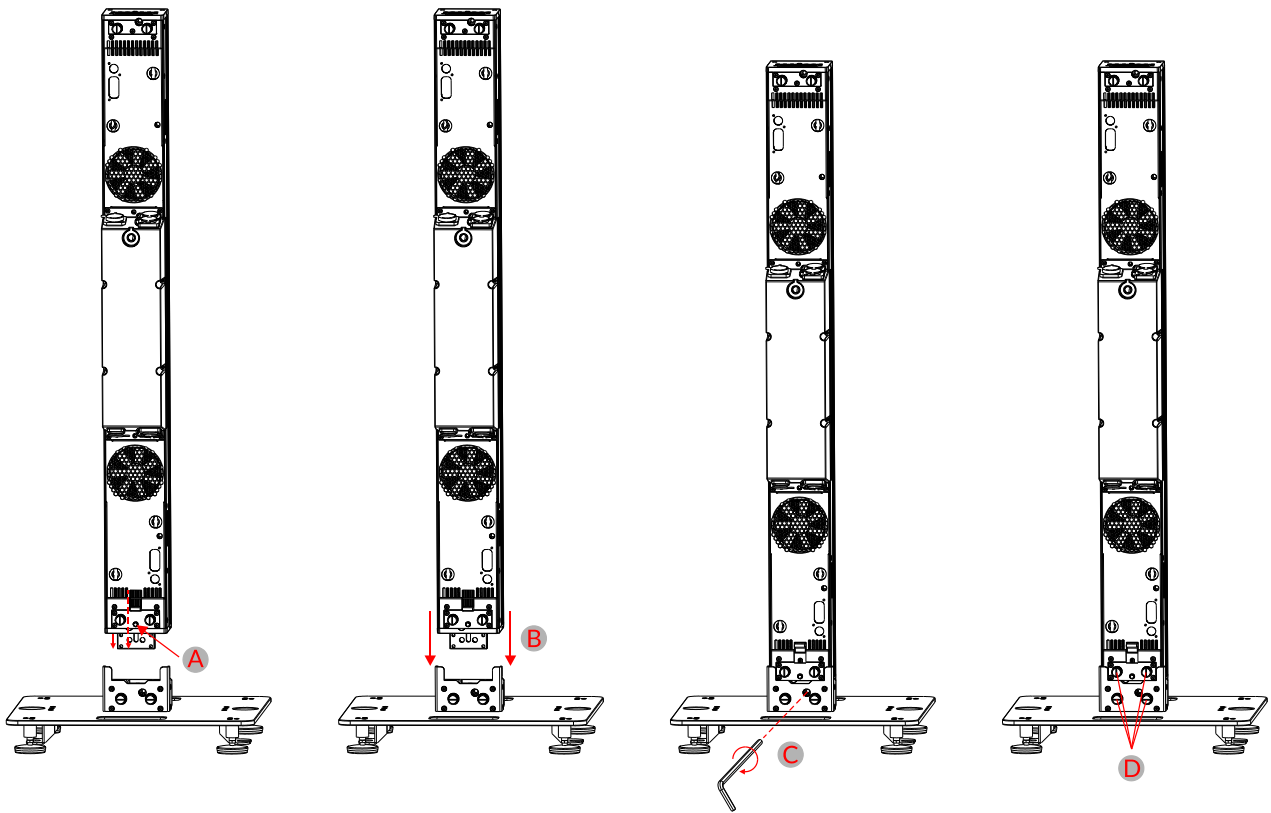
Floor: Two floor brackets (sold separately):



Vertical Stand: Mounted to floor stand (sold separately):

Note: Fixture can only stand vertically in a single unit. No other fixtures can be spliced.

- A. Press the button: automatically the slide comes out completely.
- B. Place the fixture nicely against the floor stand in line so that the slide fits nicely into the floor stand.
- C. Insert the hex wrench into the hexagonal slot and tighten it clockwise to release and secure the locking mechanism inside the floor stand with the fixture.
- D. Finally, tighten the four rivet screws to secure the floor stand.



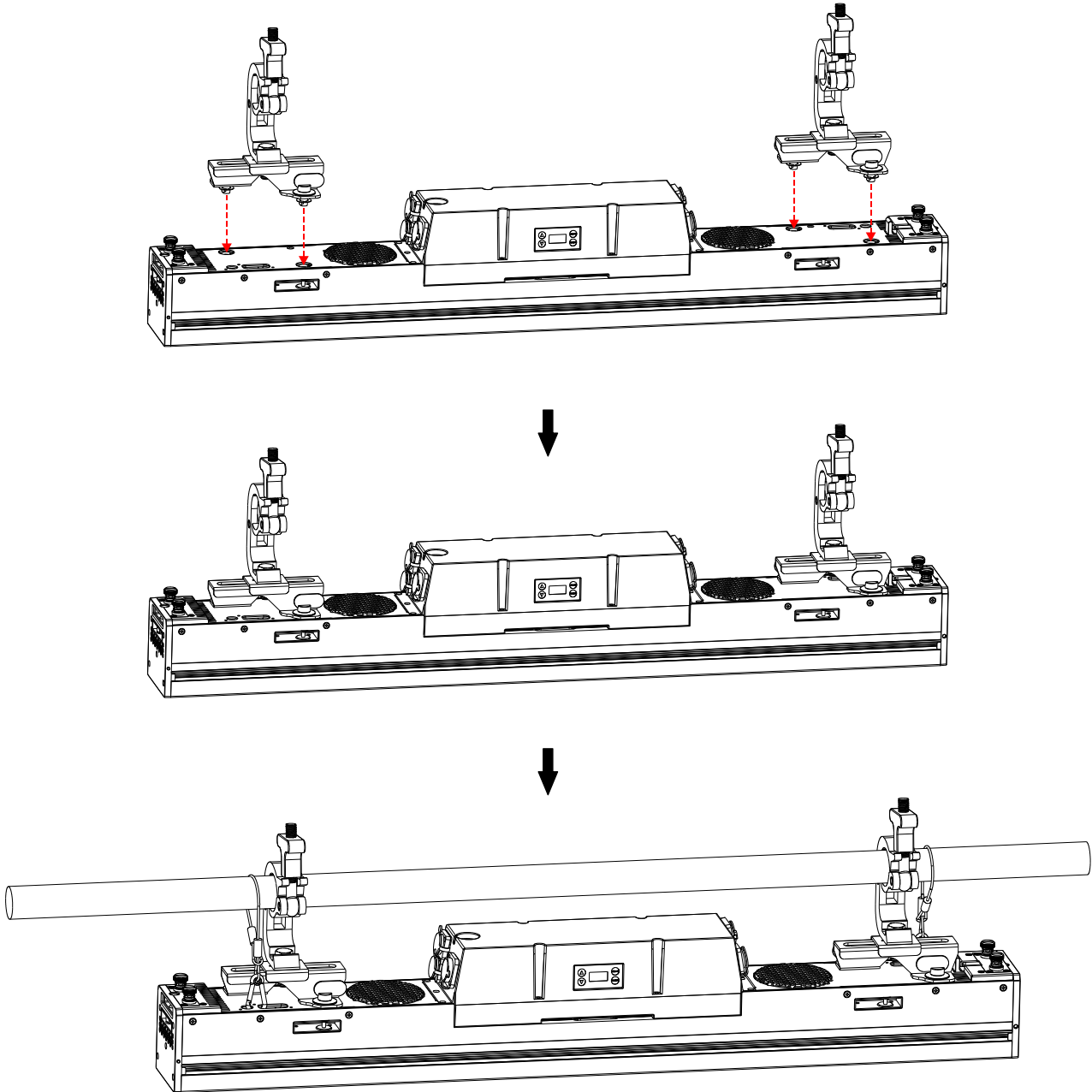
To separate the fixture from the floor stand, follow the above steps in reverse order.

Note: Hold down the button and pull the slide back simultaneously to retract it to its original position.

4.2 Hanging the Fixture

Horizontal: Utilizing two omega brackets (supplied) and clamps (by others):

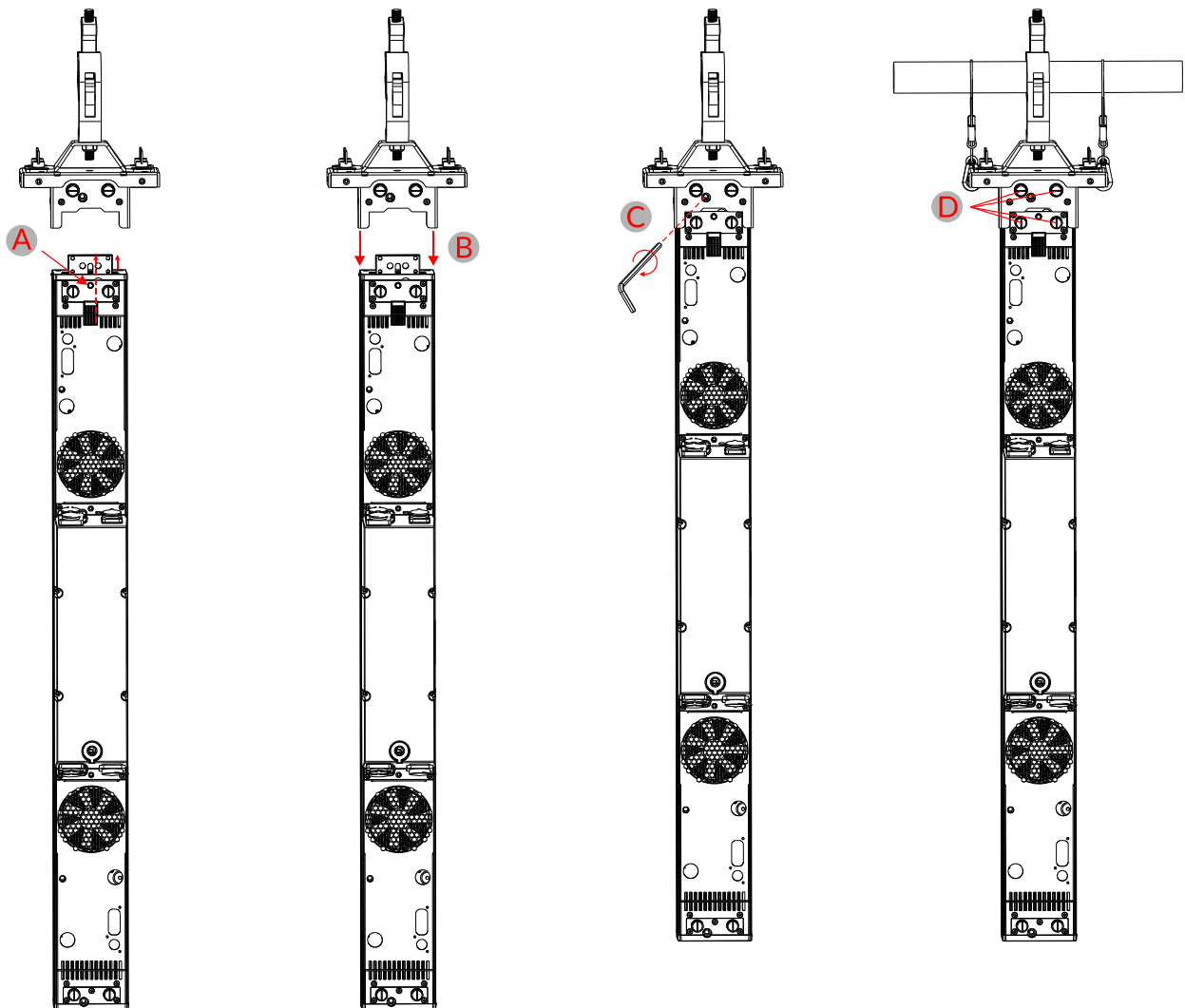
Note: Only a maximum of 6 fixtures can be spliced vertically when hanging fixtures horizontally.



Vertical: Using one omega bracket (sold separately) with clamp (by others):

Note: Only a maximum of 3 fixtures can be spliced when hanging fixtures vertically.

- A. Press the button: automatically the slide comes out completely.
- B. Place the omega bracket with clamp nicely against the fixture in line so that the slide fits nicely into the omega bracket.
- C. Insert the hex wrench into the hexagonal slot and tighten it clockwise to release and secure the locking mechanism inside the omega bracket with the fixture.
- D. Finally, tighten the four rivet screws to secure the omega bracket.



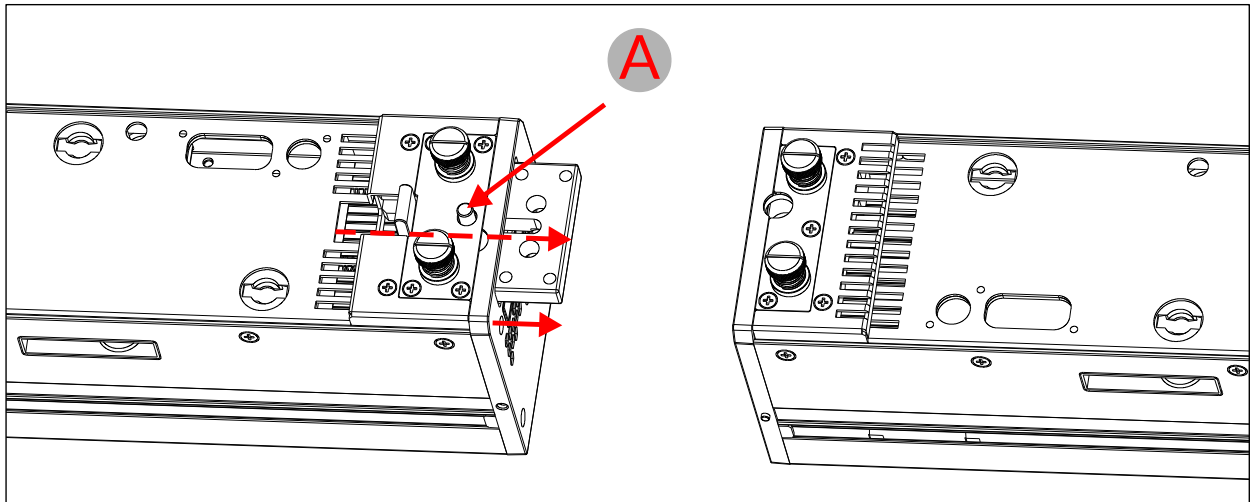
To separate the fixture from the omega bracket, follow the above steps in reverse order.

Note: Hold down the button and pull the slide back simultaneously to retract it to its original position.

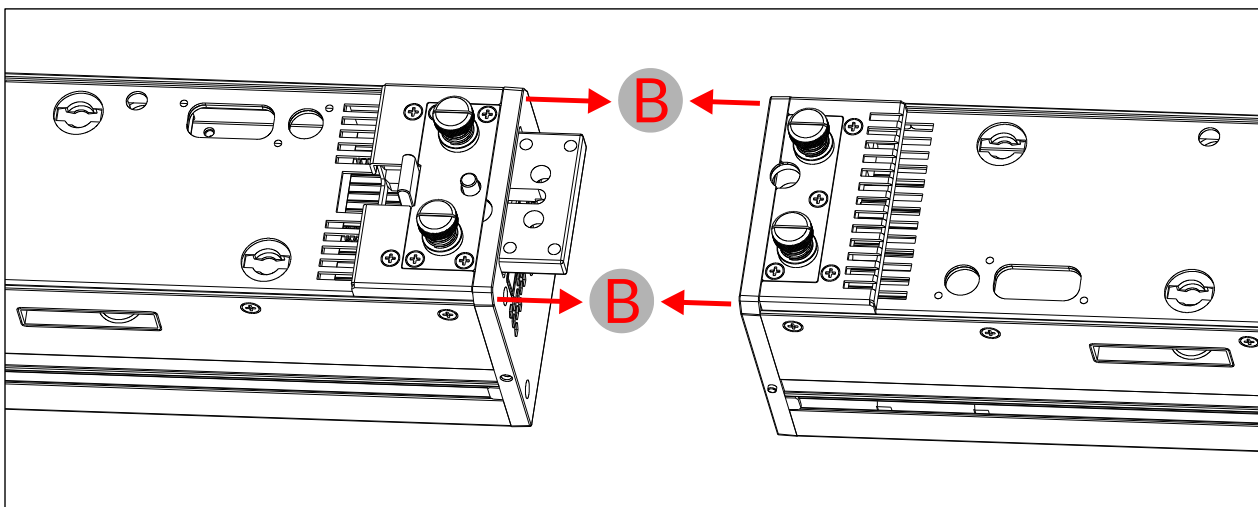
4.3 Splicing the Fixtures

Splicing fixtures horizontally:

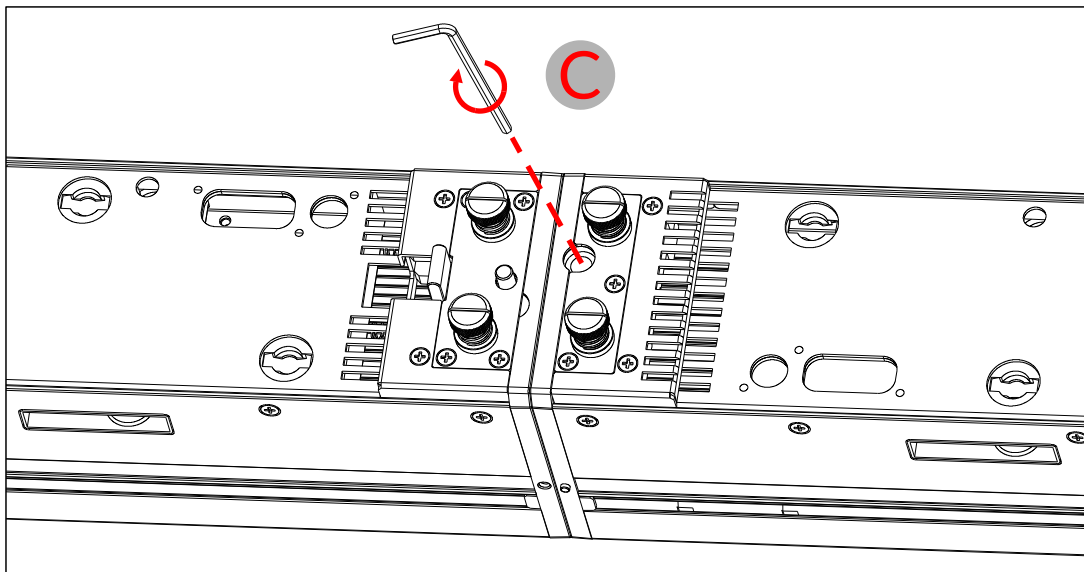
A. Press the button: automatically the slide comes out completely.



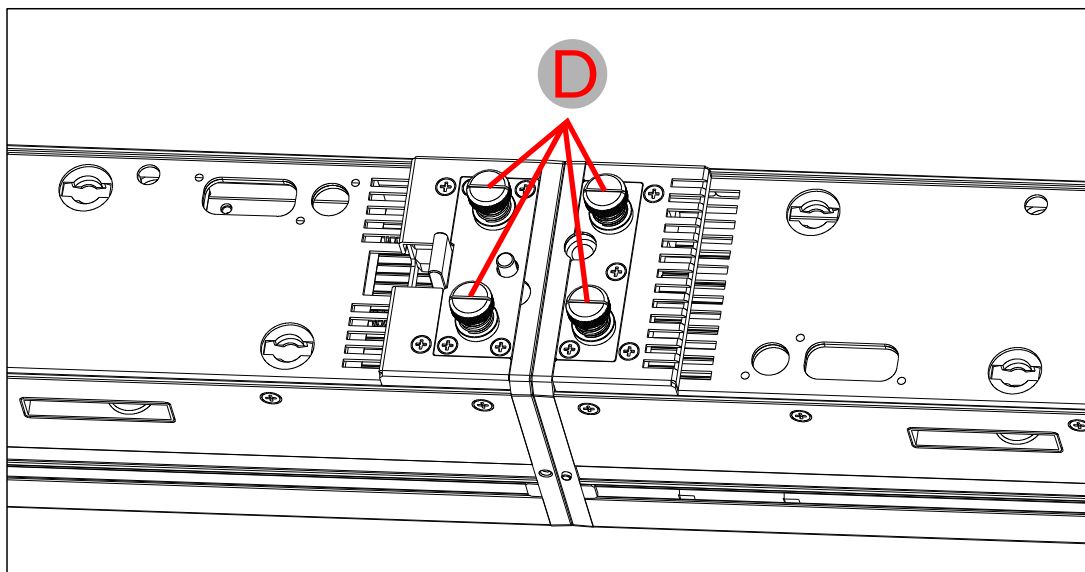
B. Place both fixtures nicely against each other in line so that the slide fits nicely into the other fixture.



C. Insert the hex wrench into the hexagonal slot and tighten it clockwise to release and secure the locking mechanism inside the fixture with the other fixture.



D. Finally, tighten the four rivet screws to secure both fixtures.



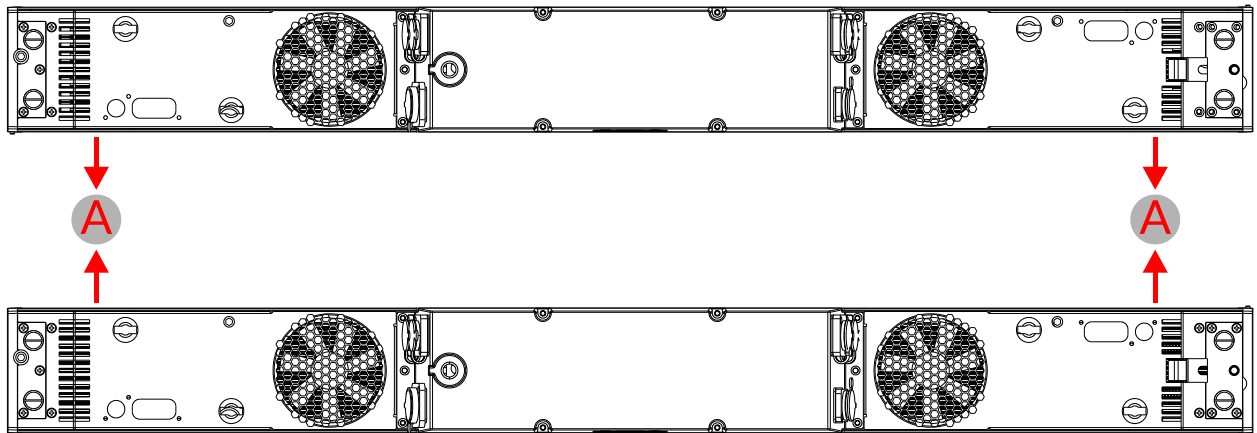
If you need to align more fixtures, repeat the steps above.

To detach the fixtures, simply reverse the steps mentioned above.

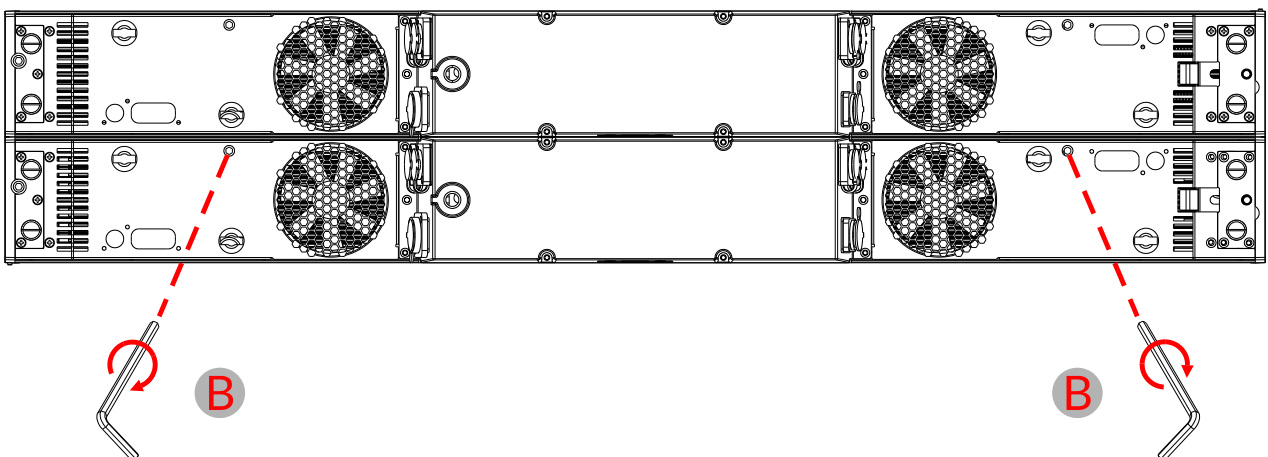
Note: Hold down the button and pull the slide back simultaneously to retract it to its original position.

Splicing fixtures vertically:

A. Place both fixtures nicely against each other in line



B. Insert the hex wrench into the hexagonal slots and tighten them clockwise to release and secure the locking mechanisms inside the fixture with the other fixture.



If you need to align more fixtures, repeat the steps above.
To detach the fixtures, simply reverse the steps mentioned above.

05/ How To Set The Unit

5.1 Main Functions

- ▶ To access the control menus, press the [MENU] button.
- ▶ Navigate the menu structure, using the [ENTER], [▲ UP] and [▼ DOWN] buttons.
- ▶ To select a menu option or to confirm a selection, press the [ENTER] button.
- ▶ To return to a higher level in the menu structure without making a change, press the [MENU] button, or wait 30 seconds.

The screen will be automatically locked if there is no operation for a long time, and can be unlocked by long-pressing the [MENU] button.

The main functions are shown below:

MENU	SUBMENU	OPTIONS		
DMX Settings	DMX Address	1-499 (14 CH)	(Default=1)	
		1-458 (55 CH)		
	DMX CH Mode	14 CH		
		55 CH		
	No DMX Status	Blackout		
		Hold		
		Manual		
	View DMX Value			
	Connect Option	Auto		
		DMX		
		Art-Net		
		sACN		
	Network	IP Address	Default 1:002.xxx.xxx.xxx	
			Default 2:010.xxx.xxx.xxx	
			Manual:xxx.xxx.xxx.xxx	
		Subnet Mask	xxx.xxx.xxx.xxx	
	Art-Net Settings	Net	0-127	(Default=0)
		Sub-Net	0-15	(Default=0)
		Universe	0-15	(Default=0)
	sACN Settings	Universe	1-32000	(Default=1)
Priority		0-200	(Default=100)	
Network to DMX	Off			
	On			

MENU	SUBMENU	OPTIONS	
Fixture Settings	Dimmer Curve	Linear	
		Square Law	
		Inv SQ Law	
		S Curve	
	Dimmer Speed	Smooth	
		Fast	
		Tungsten	
	White Balance	Red	125-255
		Green	125-255
		Blue	125-255
		Red 1	125-255
		Green 1	125-255
		Blue 1	125-255
	
		Red 10	125-255
		Green 10	125-255
		Blue 10	125-255
	LED Refresh Rate	900Hz	
		1000Hz	
		1100Hz	
		1200Hz	
		1300Hz	
		1400Hz	
		1500Hz	
		2500Hz	
		4000Hz	
		5000Hz	
6000Hz			
10KHz			
15KHz			
20KHz			
25KHz			
Invert Pixel	No		
	Yes		
Display Settings	Display Invert	No	
		Yes	
	Temperature Unit	°C	
		°F	
	Language	English	
		Chinese	

MENU	SUBMENU	OPTIONS			
Auto Test					
Manual Test	Mode 1		Mode 2		
	Clear	No/Yes	Clear	No/Yes	
	Frost	0-255	Frost	0-255	
	Strobe	0-255	Strobe	0-255	
	Dimmer	0-255	Dimmer	0-255	
	White	0-255	White 1	0-255	
	Red	0-255	Red 1	0-255	
	Green	0-255	Green 1	0-255	
	Blue	0-255	Blue 1	0-255	
	Amber	0-255	Amber 1	0-255	
	CCT	0-255	
	Color	0-255	White 10	0-255	
	Effect	0-255	Red 10	0-255	
	Effect Speed	0-255	Green 10	0-255	
			Blue 10	0-255	
			Amber 10	0-255	
Information	Fixture Use Hour				
	LED Use Hour	Total LED Hour			
		LED On Hour			
		LED Hours Reset	No		
	Temperature			Yes	Password=50
		LED's	LED1-5	Current	Max temp
	Fan State	Base			
		Head 1			
		Head 2			
	Firmware Version				
	RDM UID				
Error Logs	Fixture Errors				
	Reset Error Log	No			
		Yes	Password=50		
Factory Restore	No				
	Yes				

DMX Settings

Enter the control menu and select **DMX Settings**, press ENTER. Use the UP/DOWN button to select **DMX Address**, **DMX CH Mode**, **No DMX Status**, **View DMX Value**, **Connect Option**, **Network**, **Art-Net Settings**, **sACN Settings** or **Network to DMX**.

DMX Address

Select **DMX Address**, press ENTER.

Use UP/DOWN button to select an address, confirm your selection with ENTER.

CHANNEL MODE	ADDRESS
14 CH	1-499
55 CH	1-458

To exit the menu, press MENU, or wait 30 seconds.

DMX CH Mode

Select **DMX CH Mode**, press ENTER.

Use UP/DOWN button to select between **14 CH** and **55 CH**, confirm your selection with ENTER.

To exit the menu, press MENU, or wait 30 seconds.

No DMX Status

Select **No DMX Status**, press ENTER.

Use UP/DOWN button to select one of the following status:

Blackout (Fixture blacks out if DMX signal stops)

Hold (The device continues to operate in the current mode with the last active DMX values until the signal returns)

Manual (The device accepts the DMX value stored in the 'Manual Test' menu)

Confirm your selection with ENTER.

To exit the menu, press MENU, or wait 30 seconds.

View DMX Value

Select **View DMX Value**, press ENTER.

Use UP/DOWN button to select the desired DMX channel, for which the value is to be displayed.

To exit the menu, press MENU, or wait 30 seconds.

Connect Option

Select **Connect Option**, press ENTER.

Use UP/DOWN button to select **Auto**, **DMX**, **Art-Net** or **sACN**, confirm your selection with ENTER.

To exit the menu, press MENU, or wait 30 seconds.

Network

Select **Network**, press ENTER.

Use UP/DOWN button to select **IP Address** or **Subnet Mask**, confirm your selection with ENTER.

To exit the menu, press MENU, or wait 30 seconds.

Art-Net Settings

Select **Art-Net Settings**, press ENTER.

Use UP/DOWN button to select **Net**, **Sub-Net** or **Universe**, confirm your selection with ENTER.

To exit the menu, press MENU, or wait 30 seconds.

sACN Settings

Select **sACN Settings**, press ENTER.

Use UP/DOWN button to select **Universe** or **Priority**, confirm your selection with ENTER.

To exit the menu, press MENU, or wait 30 seconds.

Network to DMX

Select **Network to DMX**, press ENTER.

Use UP/DOWN button to select **Off** or **On**, confirm your selection with ENTER.

To exit the menu, press MENU, or wait 30 seconds.

Fixture Settings

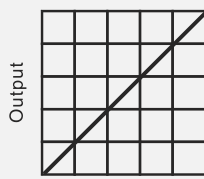
Enter the control menu and select **Fixture Settings**, press ENTER. Use the UP/DOWN button to select **Dimmer Curve**, **Dimmer Speed**, **White Balance**, **LED Refresh Rate** or **Invert Pixel**.

Dimmer Curve

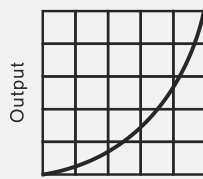
Select **Dimmer Curve**, press ENTER.

Use UP/DOWN button to select **Linear**, **Square Law**, **Inv SQ Law** or **S Curve**, confirm your selection with ENTER.

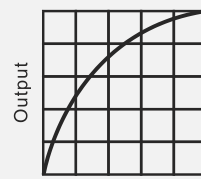
Dimmer Modes



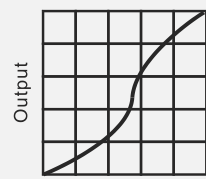
Optically Linear



Square Law



Inverse Square Law



S-curve

To exit the menu, press MENU, or wait 30 seconds.

Dimmer Speed

Select **Dimmer Speed**, press ENTER.

Use UP/DOWN button to select **Smooth**, **Fast** or **Tungsten**, confirm your selection with ENTER.

To exit the menu, press MENU, or wait 30 seconds.

White Balance

Select **White Balance**, press ENTER.

Use UP/DOWN button to select **Red**, **Green**, **Blue**, **Red 1**, **Green 1**, **Blue 1**..... or **Red 10**, **Green 10**, **Blue 10**, confirm your selection with ENTER.

Use UP/DOWN button to select a value between **125** and **255**, confirm your selection with ENTER.

To exit the menu, press MENU, or wait 30 seconds.

LED Refresh Rate

Select **LED Refresh Rate**, press ENTER.

Use UP/DOWN button to select **900Hz, 1000Hz, 1100Hz, 1200Hz, 1300Hz, 1400Hz, 1500Hz, 2500Hz, 4000Hz, 5000Hz, 6000Hz, 10KHz, 15KHz, 20KHz or 25KHz**, confirm your selection with ENTER.

To exit the menu, press MENU, or wait 30 seconds.

Invert Pixel

Select **Invert Pixel**, press ENTER.

Use UP/DOWN button to select **No** or **Yes**, confirm your selection with ENTER.

To exit the menu, press MENU, or wait 30 seconds.

Display Settings

Enter the control menu and select **Display Settings**, press ENTER. Use the UP/DOWN button to select **Display Invert, Temperature Unit** or **Language**.

Display Invert

Select **Display Invert**, press ENTER.

Use UP/DOWN button to select **No** (display normal) or **Yes** (display inverted), confirm your selection with ENTER.

To exit the menu, press MENU, or wait 30 seconds.

Temperature Unit

Select **Temperature Unit**, press ENTER.

Use UP/DOWN button to select **°C** or **°F**, confirm your selection with ENTER.

To exit the menu, press MENU, or wait 30 seconds.

Language

Select **Language**, press ENTER.

Use UP/DOWN button to select **English** or **Chinese**, confirm your selection with ENTER.

To exit the menu, press MENU, or wait 30 seconds.

Auto Test

Select **Auto Test**, press ENTER.

The device immediately performs an automatic self-test.

To end the automatic self-test and exit the menu, press MENU, or wait 30 seconds.

Manual Test

Select **Manual Test**, press ENTER.

Use UP/DOWN button to select the channel for which the manual test is to be performed, confirm your selection with ENTER.

Use UP/DOWN button to select a value, confirm your selection with ENTER.

To exit the menu, press MENU, or wait 30 seconds.

(The device returns to its original DMX state after the manual test. The test values are saved automatically when the device is switched off.)

Information

Enter the control menu and select **Information**, press ENTER. Use the UP/DOWN button to select **Fixture Use Hour**, **LED Use Hour**, **Temperature**, **Fan State**, **Firmware Version**, **RDM UID** or **Error Logs**.

Fixture Use Hour

Select **Fixture Use Hour**, press ENTER.
The operating hours is displayed.
To exit the menu, press MENU, or wait 30 seconds.

LED Use Hour

Select **LED Use Hour**, press ENTER.
Use UP/DOWN button to select **Total LED Hour** (total time) or **LED On Hour** (current switch-on time), confirm your selection with ENTER.
The total time or current switch-on time is displayed.
Use UP/DOWN button to select **LED Hours Reset**, confirm your selection with ENTER.
If you wish to reset the relevant LED operating hours, select **Yes**. If you do not wish to reset anything, select **No**. Confirm your selection with ENTER.
If you select **Yes**, use UP/DOWN button to set the password 050, confirm your selection with ENTER. The LED operating hours is reset.
To exit the menu, press MENU, or wait 30 seconds.

Temperature

Select **Temperature**, press ENTER.
The device temperature is displayed.
To exit the menu, press MENU, or wait 30 seconds.

Fan State

Select **Fan State**, press ENTER.
The fan status is displayed.
To exit the menu, press MENU, or wait 30 seconds.

Firmware Version

Select **Firmware Version**, press ENTER.

The firmware version is displayed.

To exit the menu, press MENU, or wait 30 seconds.

RDM UID

Select **RDM UID**, press ENTER.

The RDM UID is displayed.

To exit the menu, press MENU, or wait 30 seconds.

Error Logs

Select **Error Logs**, press ENTER.

Use UP/DOWN button to select **Fixture Errors**, confirm your selection with ENTER.

The error list is displayed.

Use UP/DOWN button to select **Reset Error Log**, confirm your selection with ENTER.

If you wish to reset the relevant error logs, select **Yes**. If you do not wish to reset anything, select **No**. Confirm your selection with ENTER.

If you select **Yes**, use UP/DOWN button to set the password 050, confirm your selection with ENTER. The relevant error logs are reset.

To exit the menu, press MENU, or wait 30 seconds.

Factory Restore

Select **Factory Restore**, press ENTER.

If you wish to reset the device to the factory settings, select **Yes**. If you do not wish to reset anything, select **No**. Confirm your selection with ENTER.

To exit the menu, press MENU, or wait 30 seconds.

RDM functions: Certain menus of the device and functions can be called up via the RDM protocol.

The parameter IDs are implemented as follows for different commands:

Parameter ID	Command 'Discovery'	Command 'Set'	Command 'Get'
DISC_UNIQUE_BRANCH	√		
DISC_MUTE	√		
DISC_UN_MUTE	√		
DEVICE_INFO			√
SUPPORTED_PARAMETERS			√
SOFTWARE_VERSION_LABEL			√
DMX_START_ADDRESS		√	√
IDENTIFY_DEVICE		√	√
DEVICE_MODEL_DESCRIPTION			√
PARAMETER_DESCRIPTION			√
MANUFACTURER_LABEL			√
DEVICE_LABEL		√	√
FACTORY_DEFAULTS		√	√
BOOT_SOFTWARE_VERSION_ID			√
BOOT_SOFTWARE_VERSION_LABEL			√
DMX_PERSONALITY		√	√
DMX_PERSONALITY_DESCRIPTION			√
SLOT_INFO			√
SLOT_DESCRIPTION			√
SENSOR_DEFINITION			√
SENSOR_VALUE			√
DEVICE_HOURS			√
LAMP_HOURS			√
RESET_DEVICE		√	
CURVE		√	√
DMX_STATE		√	√
DIMMER_SPEED		√	√

√ -Command implemented for the respective parameter ID

5.2 Home Position Adjustment

- ▶ To access the control menus, press the [MENU] button.
- ▶ To access the offset menus, long-press the [ENTER] button.
- ▶ Navigate the offset menus, using the [ENTER], [▲ UP] and [▼ DOWN] buttons.
- ▶ To select a menu option or to confirm a selection, press the [ENTER] button.
- ▶ To return to a higher level in the menu structure without making a change, press the [MENU] button, or wait 30 seconds.

OFFSET MENU	VALUES
Frequency	1072~1327
White	0~255
Red	0~255
Green	0~255
Blue	0~255
Amber	0~255
White 1	0~255
Red 1	0~255
Green 1	0~255
Blue 1	0~255
Amber 1	0~255
.....
White 10	0~255
Red 10	0~255
Green 10	0~255
Blue 10	0~255
Amber 10	0~255

Frequency

Select **Frequency**, press ENTER.

Use UP/DOWN button to select a value, confirm your selection with ENTER.

To exit the offset menu, press MENU, or wait 30 seconds.

Frequency	VALUES
900Hz	772~1027
1000Hz	872~1127
1100Hz	972~1227
1200Hz	1072~1327
1300Hz	1172~1427
1400Hz	1272~1527
1500Hz	1372~1627
2500Hz	2372~2627
4000Hz	3872~4127
5000Hz	4872~5127
6000Hz	5872~6127
10KHz	9872~10127
15KHz	14872~15127
20KHz	19872~20127
25KHz	24872~25127

White

Select **White**, press ENTER.

Use UP/DOWN button to select a value between 0 and 255, confirm your selection with ENTER.

To exit the offset menu, press MENU, or wait 30 seconds.

Red

Select **Red**, press ENTER.

Use UP/DOWN button to select a value between 0 and 255, confirm your selection with ENTER.

To exit the offset menu, press MENU, or wait 30 seconds.

Green

Select **Green**, press ENTER.

Use UP/DOWN button to select a value between 0 and 255, confirm your selection with ENTER.

To exit the offset menu, press MENU, or wait 30 seconds.

Blue

Select **Blue**, press ENTER.

Use UP/DOWN button to select a value between 0 and 255, confirm your selection with ENTER.

To exit the offset menu, press MENU, or wait 30 seconds.

Amber

Select **Amber**, press ENTER.

Use UP/DOWN button to select a value between 0 and 255, confirm your selection with ENTER.

To exit the offset menu, press MENU, or wait 30 seconds.

White 1

Select **White 1**, press ENTER.

Use UP/DOWN button to select a value between 0 and 255, confirm your selection with ENTER.

To exit the offset menu, press MENU, or wait 30 seconds.

Red 1

Select **Red 1**, press ENTER.

Use UP/DOWN button to select a value between 0 and 255, confirm your selection with ENTER.

To exit the offset menu, press MENU, or wait 30 seconds.

Green 1

Select **Green 1**, press ENTER.

Use UP/DOWN button to select a value between 0 and 255, confirm your selection with ENTER.

To exit the offset menu, press MENU, or wait 30 seconds.

Blue 1

Select **Blue 1**, press ENTER.

Use UP/DOWN button to select a value between 0 and 255, confirm your selection with ENTER.

To exit the offset menu, press MENU, or wait 30 seconds.

Amber 1

Select **Amber 1**, press ENTER.

Use UP/DOWN button to select a value between 0 and 255, confirm your selection with ENTER.

To exit the offset menu, press MENU, or wait 30 seconds.

.....

White 10

Select **White 10**, press ENTER.

Use UP/DOWN button to select a value between 0 and 255, confirm your selection with ENTER.

To exit the offset menu, press MENU, or wait 30 seconds.

Red 10

Select **Red 10**, press ENTER.

Use UP/DOWN button to select a value between 0 and 255, confirm your selection with ENTER.

To exit the offset menu, press MENU, or wait 30 seconds.

Green 10

Select **Green 10**, press ENTER.

Use UP/DOWN button to select a value between 0 and 255, confirm your selection with ENTER.

To exit the offset menu, press MENU, or wait 30 seconds.

Blue 10

Select **Blue 10**, press ENTER.

Use UP/DOWN button to select a value between 0 and 255, confirm your selection with ENTER.

To exit the offset menu, press MENU, or wait 30 seconds.

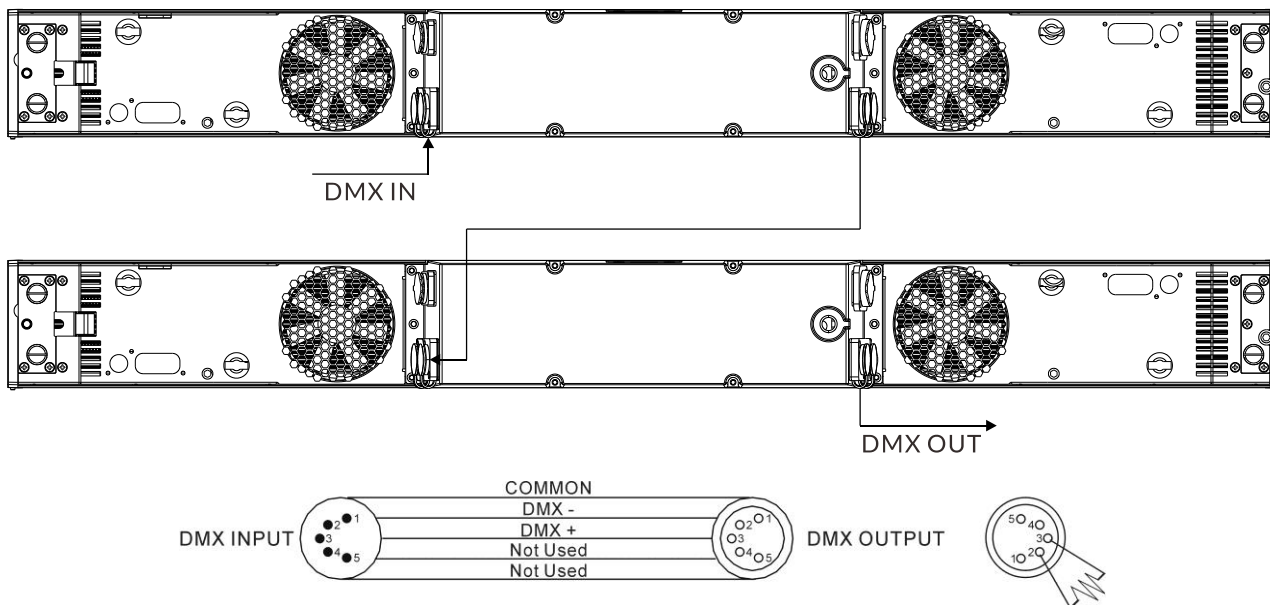
Amber 10

Select **Amber 10**, press ENTER.

Use UP/DOWN button to select a value between 0 and 255, confirm your selection with ENTER.

To exit the offset menu, press MENU, or wait 30 seconds.

6.1 DMX512 Connection



1. At last unit, the DMX cable has to be terminated with a terminator. Solder a 120-ohm 1/4W resistor between pin 2(DMX-) and pin 3(DMX+) into a 3-pin XLR-plug and plug it in the DMX-output of the last unit.
2. Connect the unit together in a “daisy chain” by XLR plug cable from the output of the unit to the input of the next unit. The cable can only be used in series and cannot be connected in parallel. DMX 512 is a very high-speed signal. Inadequate or damaged cables, soldered joints or corroded connectors can easily distort the signal and shut down the system.
3. The DMX output and input connectors are pass-through to maintain the DMX circuit, when one of the units’ power is disconnected.
4. Each lighting unit needs to have a DMX address to receive the data by the controller. The address number is between 1-512.
5. The end of the DMX 512 system should be terminated to reduce signal errors.
6. 3 pin XLR connectors are more popular than 5 pins XLR.
 - 3 pin XLR: Pin 1: GND, Pin 2: Negative signal (-), Pin 3: Positive signal (+)
 - 5 pin XLR: Pin 1: GND, Pin 2: Negative signal (-), Pin 3: Positive signal (+), Pin4, Pin5 not used.

6.2 Address Setting

If you use a universal DMX controller to control the units, you have to set DMX address between 1 and 512 so that the units can receive DMX signal.

Press the MENU button to access the control menus, select DMX Settings, press the ENTER button to confirm. Use the UP/DOWN button to select DMX Address, press the ENTER button to confirm, the present address will show on the display. Use the UP/DOWN button to adjust the address between 001 and 512, press the ENTER button to store. To exit the menu, press MENU, or wait 30 seconds.

Please refer to the following diagram to address your DMX512 channel for the first 4 units.

Channel Mode	Unit 1 Address	Unit 2 Address	Unit 3 Address	Unit 4 Address
14 channels	1	15	29	43
55 channels	1	56	111	166

6.3 DMX512 Configuration

Please control the fixture by referring to the configurations below.

Attentions:

- ▶ The unit will maintain the last condition until reset if you cut-off the DMX signal.
- ▶ For the channel Function, keep the value for about 3 seconds, then the corresponding function will take into effect.

CHANNEL		VALUE	FUNCTION
14ch	55ch		
1	1	000-005	SPECIAL FUNCTION Null
		006-007	Null
		008-009	Null
		010-029	Null
		030-039	Dimmer Curve: Linear
		040-049	Dimmer Curve: Square Law
		050-059	Dimmer Curve: Inv SQ Law
		060-069	Dimmer Curve: S Curve
		070-099	Null
		100-109	Led Frequency Setting Enable
		110-119	Led Frequency Setting Disable
		120-122	Null
		123	900Hz
		124	1000Hz
		125	1100Hz
		126	1200Hz
		127	1300Hz
		128	1400Hz
		129	1500Hz
		130	2500Hz
		131	4000Hz
		132	5000Hz
		133	6000Hz
		134	10KHz
		135	15KHz
		136	20KHz
		137	25KHz
138-139	Null		
140-179	Null		
180-189	Dimmer Speed: Fast		
190-199	Dimmer Speed: Smooth		
200-209	Dimmer Speed: Tungsten		
210-255	Null		
2	2	000-042	FROST Null
		043-085	Frost 1
		086-127	Frost 2
		128-255	0%→100%
3	3	000-007	STROBE Close
		008-015	Open
		016-131	Strobe from Slow to Fast
		132-139	Open

		140-181 182-189 190-231 232-239 240-247 248-255	Fast Open Slow Close from Slow to Fast Open Slow Open Fast Close from Slow to Fast Open Random Strobe from Slow to Fast Open
4	4	000-255	DIMMER 0%→100%
5	5	000-255	DIMMER FINE
6		000-255	WHITE 0%→100%
7		000-255	RED 0%→100%
8		000-255	GREEN 0%→100%
9		000-255	BLUE 0%→100%
10		000-255	AMBER 0%→100%
11		000 001-004 005-009 010-013 014-018 019-022 023-027 028-031 032-036 037-040 041-045 046-049 050-054 055-058 059-063 064-067 068-072 073-076 077-081 082-085 086-090 091-094 095-099 100-103 104-108 109-112	CCT Null 8000K 7900K 7800K 7700K 7600K 7500K 7400K 7300K 7200K 7100K 7000K 6900K 6800K 6700K 6600K 6500K 6400K 6300K 6200K 6100K 6000K 5900K 5800K 5700K 5600K

		113-117	5500K
		118-121	5400K
		122-126	5300K
		127-130	5200K
		131-135	5100K
		136-139	5000K
		140-144	4900K
		145-148	4800K
		149-153	4700K
		154-157	4600K
		158-162	4500K
		163-166	4400K
		167-171	4300K
		172-175	4200K
		176-180	4100K
		181-184	4000K
		185-189	3900K
		190-193	3800K
		194-198	3700K
		199-202	3600K
		203-207	3500K
		208-211	3400K
		212-216	3300K
		217-220	3200K
		221-225	3100K
		226-229	3000K
		230-234	2900K
		235-238	2800K
		239-243	2700K
		244-247	2600K
		248-255	2500K
			COLOR MACRO
		000-009	Null
		010-016	LEE 790 – Moroccan Pink
		017-023	LEE 157 – Pink
		024-030	LEE 332 – Special Rose Pink
		031-037	LEE 328 – Follies Pink
		038-044	LEE 345 – Fuchsia Pink
		045-051	LEE 194 – Surprise Pink
		052-058	LEE 181 – Congo Blue
		059-065	LEE 071 – Tokyo Blue
		066-072	LEE 120 – Deep Blue
		073-079	LEE 079 – Just Blue
		080-086	LEE 132 – Medium Blue
		087-093	LEE 200 – Double CT Blue
		094-100	LEE 161 – State Blue
		101-107	LEE 201 – Full CT Blue
12			

		108-114 115-121 122-128 129-135 136-142 143-149 150-156 157-163 164-170 171-177 178-184 185-191 192-198 199-205 206-212 213-219 220-226 227-233 234-255	LEE 202 – Half CT Blue LEE 117 – Steel Blue LEE 353 – Lighter Blue LEE 118 – Light Blue LEE 116 – Medium Blue Green LEE 124 – Dark Green LEE 139 – Primary Green LEE 089 – Moss Green LEE 122 – Fern Green LEE 738 – JAS Green LEE 088 – Lime Green LEE 100 – Spring Yellow LEE 104 – Deep Amber LEE 179 – Chrome Orange LEE 105 – Orange LEE 021 – Gold Amber LEE 778 – Millennium Gold LEE 135 – Deep Gold Amber LEE 164 – Flame Red
13		000-015 016-031 032-047 048-063 064-079 080-095 096-111 112-127 128-143 144-159 160-175 176-191 192-207 208-223 224-239 240-255	MACRO EFFECT SELECT Null Built-in Effect 1 Built-in Effect 2 Built-in Effect 3 Built-in Effect 4 Built-in Effect 5 Built-in Effect 6 Built-in Effect 7 Built-in Effect 8 Built-in Effect 9 Built-in Effect 10 Built-in Effect 11 Built-in Effect 12 Built-in Effect 13 Built-in Effect 14 Built-in Effect 15
14		000 001-127 128-255	MACRO EFFECT SPEED Null Slow to Fast without Fade Slow to Fast with Fade
	6	000-255	WHITE 1 0%→100%
	7	000-255	RED 1 0%→100%
	8	000-255	GREEN 1 0%→100%

	9	000-255	BLUE 1 0%→100%
	10	000-255	AMBER 1 0%→100%
	11	000-255	WHITE 2 0%→100%
	12	000-255	RED 2 0%→100%
	13	000-255	GREEN 2 0%→100%
	14	000-255	BLUE 2 0%→100%
	15	000-255	AMBER 2 0%→100%
	16	000-255	WHITE 3 0%→100%
	17	000-255	RED 3 0%→100%
	18	000-255	GREEN 3 0%→100%
	19	000-255	BLUE 3 0%→100%
	20	000-255	AMBER 3 0%→100%
	21	000-255	WHITE 4 0%→100%
	22	000-255	RED 4 0%→100%
	23	000-255	GREEN 4 0%→100%
	24	000-255	BLUE 4 0%→100%
	25	000-255	AMBER 4 0%→100%
	26	000-255	WHITE 5 0%→100%
	27	000-255	RED 5 0%→100%
	28	000-255	GREEN 5 0%→100%
	29	000-255	BLUE 5 0%→100%
	30	000-255	AMBER 5 0%→100%

	31	000-255	WHITE 6 0%→100%
	32	000-255	RED 6 0%→100%
	33	000-255	GREEN 6 0%→100%
	34	000-255	BLUE 6 0%→100%
	35	000-255	AMBER 6 0%→100%
	36	000-255	WHITE 7 0%→100%
	37	000-255	RED 7 0%→100%
	38	000-255	GREEN 7 0%→100%
	39	000-255	BLUE 7 0%→100%
	40	000-255	AMBER 7 0%→100%
	41	000-255	WHITE 8 0%→100%
	42	000-255	RED 8 0%→100%
	43	000-255	GREEN 8 0%→100%
	44	000-255	BLUE 8 0%→100%
	45	000-255	AMBER 8 0%→100%
	46	000-255	WHITE 9 0%→100%
	47	000-255	RED 9 0%→100%
	48	000-255	GREEN 9 0%→100%
	49	000-255	BLUE 9 0%→100%
	50	000-255	AMBER 9 0%→100%
	51	000-255	WHITE 10 0%→100%
	52	000-255	RED 10 0%→100%

	53	000-255	GREEN 10 0%→100%
	54	000-255	BLUE 10 0%→100%
	55	000-255	AMBER 10 0%→100%

07/ Error Information

Error codes are shown continuously in the display when the fixture fails and they will not disappear until the fixture is repaired.

CPU-B/C/D Error

Check whether the 485 (DATA) leads on the PCB board are installed in place or disconnected.

Check whether the related 485 (DATA) signal circuit on the PCB board is damaged.

LED Temp. Error

Check whether the temperature detecting board is normal.

Check whether the components of the temperature detecting board are damaged.

Check whether the lead on the temperature detecting board is installed in place or disconnected.

LED Too Hot Off

When the fixture temperature reaches 76°C, it will automatically turn off to protect the fixture.

LED Timeout Use

Network Error

Check whether the network module is installed.

Check whether the network module is damaged.

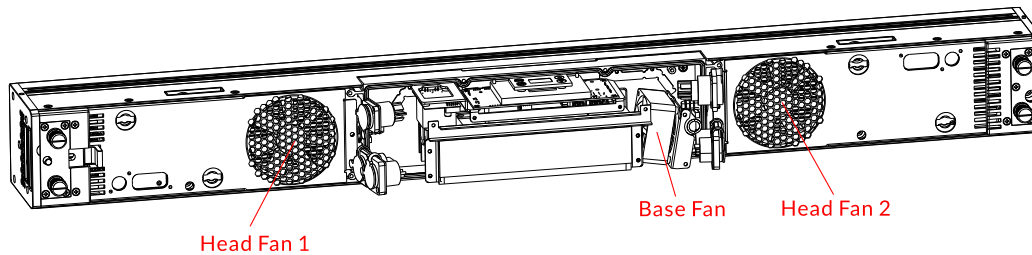
Base Fan Start Err

- Check whether the fan is not running.
- Check whether the fan leads are installed in place or disconnected.
- Check whether the fan is damaged.
- Check whether there are obstacles in the fan operating range.

Head Fan1/2 Start Err

- Check whether the fan is not running.
- Check whether the fan leads are installed in place or disconnected.
- Check whether the fan is damaged.
- Check whether there are obstacles in the fan operating range.

The position of each fan of the fixture:



08/ Troubleshooting

Following are a few common problems that may occur during operation. Here are some suggestions for troubleshooting:

A. The unit does not work, no light and the fan does not work

- ▶ Check the connected power.
- ▶ Measure the voltage.
- ▶ Check the power indicator to see whether it can be lit up or not.

B. Not responding to the DMX controller

- ▶ Check whether the DMX connectors and the DMX cables are connected correctly.
- ▶ Check whether the DMX address is correctly set.
- ▶ If the intermittent DMX signal problem occurs, check whether the XLR socket and the signal cable are well connected.
- ▶ Try it with another DMX controller.
- ▶ Check whether the DMX cables run near or alongside to the high-voltage cables, which may damage or interfere with the signal circuit.

09/ Fixture Cleaning

It is absolutely essential that the fixture is kept clean to ensure the maximum light-output and allow the fixture to function reliably throughout its life. The fixture must be cleaned regularly to avoid dust, dirt and smoke-fluid residues building up on or within the fixture. The cleaning frequency depends on the application environment. Clean the fixture immediately if the dust enters it to avoid damage to the optical lens due to excessive dust.

- ▶ A soft lint-free cloth moistened with any good glass cleaning fluid is recommended, under no circumstances should solvents be used.
- ▶ Always dry the parts carefully.
- ▶ Clean the external optical lens at least every 20 days.

Declaration of Conformity

We declare that our products (lighting equipments) comply with the following specification and bears CE mark in accordance with the provision of the Electromagnetic Compatibility (EMC) Directive 2014/30/EU.

EN 55032: 2015+A1: 2020; EN 55035: 2017+A11: 2020;
EN IEC 61000-3-2: 2019+A1: 2021;
EN 61000-3-3: 2013+A2: 2021.

&

Harmonized Standard

EN IEC 60598-2-17: 2018;
EN IEC 60598-1: 2021+A11: 2022.
Safety of household and similar electrical appliances
Part 1: General requirements and tests

Certifications

cETLus Approved (Control #5000057)



www.acmelighting.com